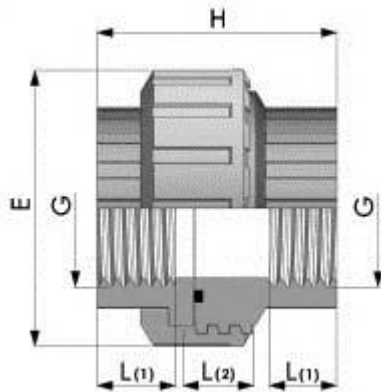




**Bocchettone PP**

Estremità femmina filettate  
guarnizione o-ring in EPDM  
Codice: DBFM

**PP socket union**  
Parallel threaded sockets,  
EPDM gasket  
Code: DBFM



<b>G (inch)</b>	<b>L<sub>(1)</sub> (mm)</b>	<b>L<sub>(2)</sub> (mm)</b>	<b>H (mm)</b>	<b>E (mm)</b>
1/2"	17,0	22,0	51,5	53,0
3/4"	18,0	25,0	56,5	62,0
1"	20,0	26,0	62,5	70,0
1 1/4"	22,5	27,0	69,0	81,0
1 1/2"	25,0	31,0	78,0	89,0
2"	29,0	35,0	85,5	105,0

- Colore: Beige RAL 7032
- Giunzione: Filettatura cilindrica secondo UNI ISO 228/1
- Dimensioni: Ø 1/4" ÷ Ø 2"
- Temperature di esercizio: - 10°C ÷ +100 °C
- Pressione di esercizio max: 10 bar

- Color: Beige RAL 7032
- Joint: Gas parallel threading standards UNI ISO 228/1
- Dimensions: Ø 1/4" ÷ Ø 2"
- Working temperature: - 10°C ÷ +100 °C
- Max working pressure: 10 bar