



Valvola elettrica per impianti ventilazione

- Estremità bicchierate femmina

Attuatore elettrico:

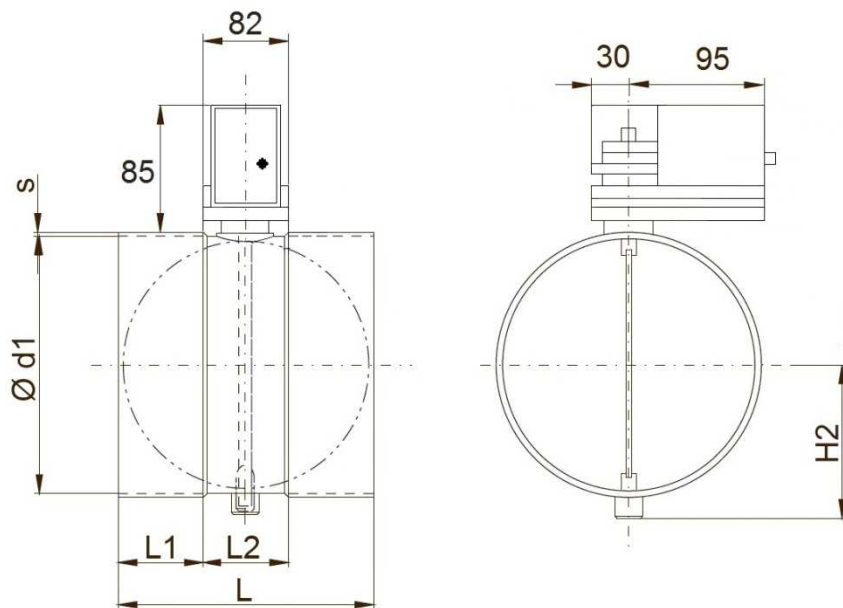
- Alimentazione : 230V – 50 Hz
- Funzione : On-Off
- Tempo chiusura : ca. 100 sec.
- Momento torcente : 4 Nm

Electric valve for ventilation plants

- Female socket connections

Electric actuator:

- Feeding : 230V – 50 Hz
- Function : On-Off
- Closed time : ca. 100 sec.
- Twisting moment : 4 Nm



Ø d (mm)	L (mm)	L1 (mm)	L2 (mm)	H2 (mm)	s (mm)					Peso Weight (Kg)				
					PVC	PP	PE	PVC-C	PVDF	PVC	PP	PE	PVC-C	PVDF
50	130	35	60	38	3,0	3,0	3,0	3,0	3,0	0,50	0,50	0,50	0,50	0,50
63	130	35	60	45	3,0	3,0	3,0	3,0	3,0	0,60	0,60	0,60	0,60	0,60
75	130	35	60	50	3,0	3,0	3,0	3,0	3,0	0,70	0,60	0,60	0,70	0,70
90	130	35	60	57	3,0	3,0	3,0	3,0	3,0	0,70	0,60	0,60	0,70	0,70
110	150	40	70	67	3,0	3,0	3,0	3,0	3,0	0,80	0,70	0,70	0,80	0,80
125	150	40	70	81	3,0	3,0	3,0	3,0	3,0	0,09	0,70	0,70	0,09	0,09
140	150	40	70	89	3,0	3,0	3,0	3,0	3,0	0,09	0,80	0,80	0,09	0,09
160	150	40	70	99	3,0	3,0	3,0	3,0	3,0	1,00	0,80	0,80	1,00	1,00
180	170	50	70	109	3,0	3,0	3,0	3,0	3,0	1,10	0,90	0,90	1,10	1,10
200	170	50	70	119	3,0	3,0	3,0	3,0	3,0	1,20	1,00	1,00	1,20	1,20
225	170	50	70	131	3,0	3,0	3,0	3,0	3,0	1,30	1,00	1,00	1,30	1,30
250	175	50	70	144	3,0	3,0	3,0	3,0	3,0	1,40	1,20	1,20	1,40	1,40
280	175	50	75	159	3,0	3,0	3,0	3,0	3,0	1,70	1,30	1,30	1,70	1,70
315	175	50	75	176	3,0	3,0	3,0	3,0	3,0	2,00	1,40	1,40	2,00	2,00
355	175	50	60	198	4,0	4,0	4,0	4,0	4,0	2,00	1,50	1,50	2,00	2,00
400	200	50	60	222	4,0	4,0	4,0	4,0	4,0	2,40	2,70	2,70	2,40	2,40

Diametri maggiori Ø 400 a richiesta
Larger diameters Ø 400 on request