

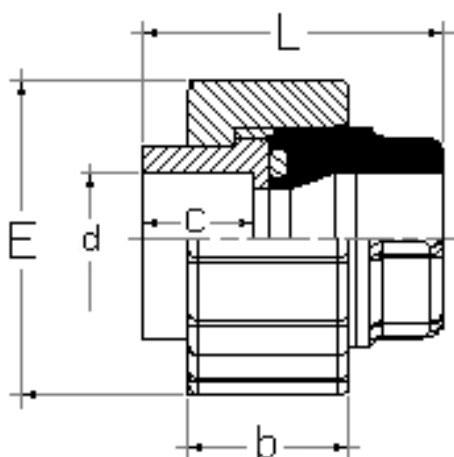


## Bocchettone PE-HD

- Codice prodotto: DBIE
- Materiale: PE-HD 100, SDR 11, PN 16
- O-ring in EPDM (standard) o FKM
- Colore: Nero
- Estremità femmina per saldatura a tasca

## HD-PE socket union

- Product code: DBIE
- Material: HD-PE100, SDR 11, PN 16
- EPDM (standard) or FKM o-ring
- Color: Black
- Female sockets fusion welding



d (mm)	PN (bar)	E (mm)	L (mm)	c (mm)	b (mm)	Peso Weight (Kg)
20	16	47 ± 2,0	45 ± 3,0	16,0 ± 1	16,1 ± 1,0	0,04
25	16	57 ± 2,0	49 ± 3,0	18,0 ± 1	18,0 ± 1,0	0,06
32	16	64 ± 2,0	53 ± 3,0	19,0 ± 1	20,0 ± 1,0	0,09
40	16	78 ± 2,0	59 ± 3,0	22,5 ± 1	22,0 ± 1,0	0,26
50	16	89 ± 2,0	67 ± 3,0	24,5 ± 1	24,5 ± 1,0	0,29
63	16	109 ± 2,0	79 ± 3,0	28,5 ± 1	28,2 ± 1,0	0,32