

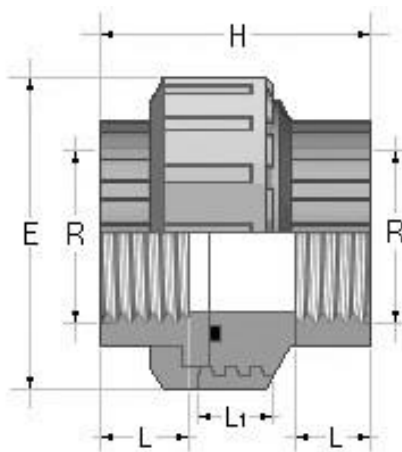


## Bocchettone PP

- Codice prodotto: DBFM
- O-ring in FPM
- Estremità femmina filettate
- Colore: Beige RAL 7032
- Giunzione: Filettatura cilindrica secondo UNI ISO 228/1
- Dimensioni:  $\varnothing 1/2'' \div \varnothing 2''$
- Temperature di esercizio:  $-10^{\circ}\text{C} \div +100^{\circ}\text{C}$
- Pressione di esercizio max: 10 bar

## PP socket union

- Product code: DBFM
- FPM o-ring
- Parallel threaded female socket
- Color: Beige RAL 7032
- Joint: Gas parallel threaded standards UNI ISO 228/1
- Dimensions:  $\varnothing 1/2'' \div \varnothing 2''$
- Working temperature:  $-10^{\circ}\text{C} \div +100^{\circ}\text{C}$
- Max working pressure: 10 bar



R (inch)	L (mm)	L <sub>1</sub> (mm)	H (mm)	E (mm)
1/2"	17,0	22,0	51,5	53,0
3/4"	18,0	25,0	56,5	62,0
1"	20,0	26,0	62,5	70,0
1 1/4"	22,5	27,0	69,0	81,0
1 1/2"	25,0	31,0	78,0	89,0
2"	29,0	35,0	85,5	105,0