



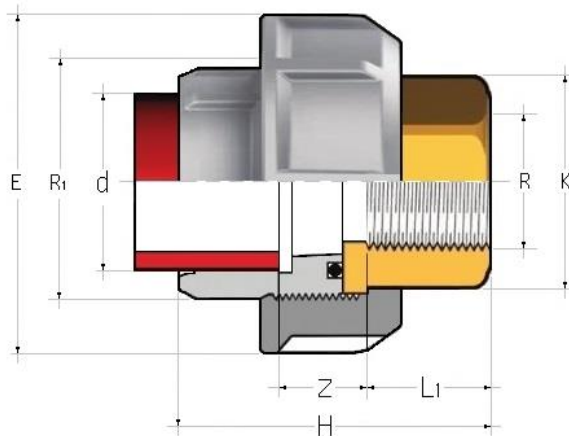
BOCCHETTONE DI PASSAGGIO PP/OTTONE

- Codice prodotto: BIFOM
- Estremità d a bicchiere per saldatura a tasca
- Estremità R ottone filettato femmina
- O-ring in EPDM (standard) o FKM (su richiesta)
- Attacchi in accordo con le seguenti norme:
DIN 16962 per accoppiamento con tubi secondo EN ISO 15494, DIN 8077/8078, UNI 8318
Filettatura: UNI ISO 228/1, DIN 2999, BS 21



PP/BRASS ADAPTOR UNION

- *Product code: BIFOM*
- *One socket plain for socket fusion welding (d)*
- *R with brass female parallel threaded*
- *EPDM (standard) or FKM (on request) o-ring*
- *Connections conforming with the following standards:
DIN 16962, for coupling to pipes complying with EN ISO 15494, DIN 8077, UNI 8318
Threaded coupling: UNI ISO 228/1, DIN 2999, BS 21*



| d x R | R ₁ | PN | E | H | K | Z | L ₁ | Peso Weight (gr) |
|-------------|----------------|----|-----|------|----|------|----------------|------------------|
| 20 x 1/2" | 1" | 10 | 47 | 48,5 | 25 | 18,0 | 16,5 | 89 |
| 25 x 3/4" | 1 1/4" | 10 | 58 | 53,5 | 32 | 19,0 | 18,5 | 159 |
| 32 x 1" | 1 1/2" | 10 | 65 | 57,5 | 38 | 20,0 | 19,5 | 180 |
| 40 x 1 1/4" | 2" | 10 | 78 | 64,5 | 48 | 23,0 | 21,5 | 357 |
| 50 x 1 1/2" | 2 1/4" | 10 | 85 | 78,5 | 55 | 32,5 | 23,0 | 448 |
| 63 x 2" | 2 3/4" | 10 | 103 | 85,5 | 69 | 31,5 | 27,0 | 785 |