



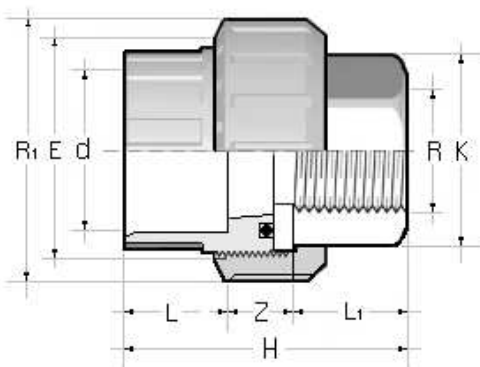
## Bocchettone di passaggio PVC-C/Acciaio

- Codice prodotto: BIFXC
- Estremità **d** femmina per incollaggio
- Estremità **R** acciaio inox filettata femmina gas cilindrica
- Guarnizione o-ring in EPDM o FKM
- Attacchi in accordo con le seguenti norme:  
Filettatura: UNI ISO 228/1, DIN 2999, BS 21  
Incollaggio: ISO 727, EN ISO 15493 accoppiabili con tubi secondo norme DIN 8079/8080 e EN ISO 15493



## PVC-C/Stainless steel adaptor union

- *Product code: BIFXC*
- *Female sockets **d** for solvent welding*
- ***R** with stainless steel socket female parallel threaded*
- *EPDM or FKM o-ring*
- *Coupling according with the following standards:  
Threaded: UNI ISO 228/1, DIN 2999, BS 21  
Socket welding: ISO 727, EN 15493 coupling to the pipes complying with DIN 8079/8080 and EN ISO 15493*



<b>d x R</b>	<b>L</b>	<b>L<sub>1</sub></b>	<b>Z</b>	<b>H</b>	<b>E</b>	<b>R<sub>1</sub></b>	<b>K</b>	<b>PN</b>	<b>Peso Weight (g)</b>
16 x 3/8"	14,0	13,5	18,0	45,5	33,0	3/4"	20,0	16	52
20 x 1/2"	16,0	16,5	16,0	48,5	41,0	1"	25,0	16	84
25 x 3/4"	19,0	18,5	17,0	54,5	50,0	1 1/4"	32,0	16	156
32 x 1"	22,0	19,5	18,0	59,5	58,0	1 1/2"	38,0	16	176
40 x 1 1/4"	26,0	21,5	21,0	68,5	72,0	2"	48,0	16	361
50 x 1 1/2"	31,0	23,0	30,5	84,5	79,0	2 1/4"	55,0	16	450
63 x 2"	38,0	27,0	29,5	94,5	98,0	2 3/4"	69,0	16	792