



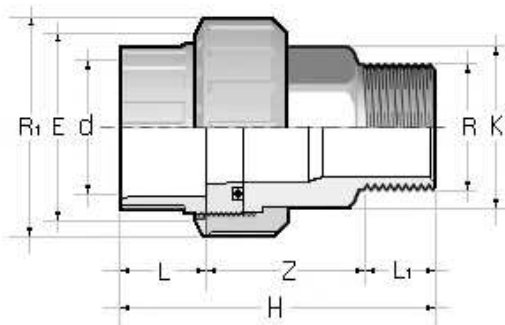
Bocchettone di passaggio PVC-C/Acciaio

- Codice prodotto: BIRXC
- Estremità **d** femmina per incollaggio
- Estremità **R** acciaio inox filettata maschio gas cilindrica
- Guarnizione o-ring in EPDM o FKM
- Attacchi in accordo con le seguenti norme:
Filettatura: UNI ISO 228/1, DIN 2999, BS 21
Incollaggio: ISO 727, EN ISO 15493 accoppiabili con tubi secondo norme DIN 8079/8080 e EN ISO 15493



PVC-C/Stainless steel adaptor union

- *Product code: BIRXC*
- *Female sockets **d** for solvent welding*
- ***R** with brass socket male parallel threaded*
- *EPDM or FKM o-ring*
- *Coupling according with the following standards:
Threaded: UNI ISO 228/1, DIN 2999, BS 21
Socket welding: ISO 727, EN 15493 coupling to the pipes complying with DIN 8079/8080 and EN ISO 15493*



d x R	L	L₁	Z	H	E	R₁	K	PN	Peso Weight (g)
16 x 3/8"	14,0	10,5	34,0	58,5	33,0	3/4"	20,0	16	76
20 x 1/2"	16,0	13,5	35,5	65,0	41,0	1"	25,0	16	126
25 x 3/4"	19,0	15,0	38,5	72,5	50,0	1 1/4"	32,0	16	219
32 x 1"	22,0	17,5	40,5	80,0	58,0	1 1/2"	38,0	16	275
40 x 1 1/4"	26,0	19,5	45,5	91,0	72,0	2"	48,0	16	524
50 x 1 1/2"	31,0	19,5	50,5	101,0	79,0	2 1/4"	55,0	16	654
63 x 2"	38,0	24,0	60,5	122,5	98,0	2 3/4"	69,0	16	1124