



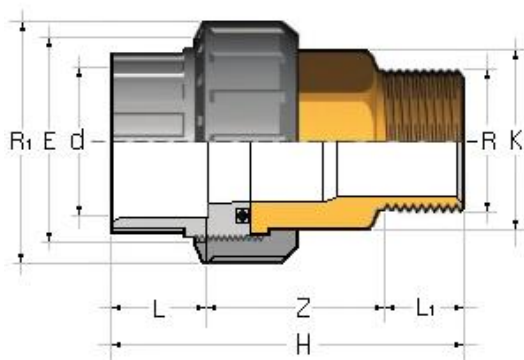
## Bocchettone di passaggio PVC-C/Ottone

- Codice prodotto: BIROC
- Estremità **d** femmina per incollaggio
- Estremità **R** ottone filettata maschio gas cilindrica
- Guarnizione o-ring in EPDM o FKM
- Attacchi in accordo con le seguenti norme:  
Filettatura: UNI ISO 228/1, DIN 2999, BS 21  
Incollaggio: ISO 727, EN ISO 15493 accoppiabili con tubi secondo norme DIN 8079/8080 e EN ISO 15493



## PVC-C/Brass adaptor union

- *Product code: BIROC*
- *Female sockets **d** for solvent welding*
- ***R** with brass socket male parallel threaded*
- *EPDM or FKM o-ring*
- *Coupling according with the following standards:  
Threaded: UNI ISO 228/1, DIN 2999, BS 21  
Socket welding: ISO 727, EN 15493 coupling to the pipes complying with DIN 8079/8080 and EN ISO 15493*



| <b>d x R</b> | <b>L</b> | <b>L<sub>1</sub></b> | <b>Z</b> | <b>H</b> | <b>E</b> | <b>R<sub>1</sub></b> | <b>K</b> | <b>PN</b> | <b>Peso Weight (g)</b> |
|--------------|----------|----------------------|----------|----------|----------|----------------------|----------|-----------|------------------------|
| 16 x 3/8"    | 14,0     | 10,5                 | 34,0     | 58,5     | 33,0     | 3/4"                 | 20,0     | 16        | 81                     |
| 20 x 1/2"    | 16,0     | 13,5                 | 35,5     | 65,0     | 41,0     | 1"                   | 25,0     | 16        | 134                    |
| 25 x 3/4"    | 19,0     | 15,0                 | 38,5     | 72,5     | 50,0     | 1 1/4"               | 32,0     | 16        | 223                    |
| 32 x 1"      | 22,0     | 17,5                 | 40,5     | 80,0     | 58,0     | 1 1/2"               | 38,0     | 16        | 294                    |
| 40 x 1 1/4"  | 26,0     | 19,5                 | 45,5     | 91,0     | 72,0     | 2"                   | 48,0     | 16        | 558                    |
| 50 x 1 1/2"  | 31,0     | 19,5                 | 50,5     | 101,0    | 79,0     | 2 1/4"               | 55,0     | 16        | 696                    |
| 63 x 2"      | 38,0     | 24,0                 | 60,5     | 122,5    | 98,0     | 2 3/4"               | 69,0     | 16        | 1196                   |