



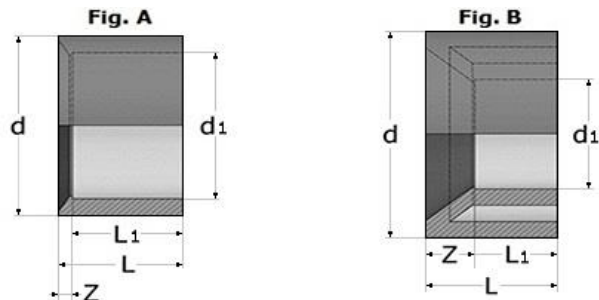
Riduzione a bussola PVC

- Codice prodotto: DDIV
- Estremità maschio ad incollaggio (1° d di riferimento); estremità a bicchiere per incollaggio (d_1 ridotto)
- Attacchi in accordo con le seguenti norme:
ISO 727, DIN 8063, NF T54-028, KIWA 54, UNI-EN 1452 accoppiabili con tubi secondo ISO 161/1, UNI-EN 1452, DIN 8062, NF T54-016, KIWA 49



PVC reducing bush

- *Product code: DDIV*
- *Male pigot for solvent welding (1st d on reference) female socket for solvent welding (reduced d_1)*
- *Connections conforming to the following standards: ISO 727, DIN 8063, NF T54-028, KIWA 54, UNI-EN 1452 coupling to the pipes complying with ISO 161/1, UNI-EN 1452, DIN 8062, NF T54-016, KIWA 49*



d x d₁	L	L₁	Z	Fig.	PN	Peso Weight (gr)
20 x 16	16	14	2	A	16	5
25 x 16	19	14	5	A	16	10
25 x 20	19	16	3	A	16	6
32 x 16	22	14	8	B	16	15
32 x 20	22	16	6	A	16	15
32 x 25	22	19	3	A	16	10
40 x 20	26	16	10	B	16	29
40 x 25	26	19	7	A	16	28
40 x 32	26	22	4	A	16	19
50 x 25	33	19	14	B	16	45
50 x 32	33	22	9	B	16	45
50 x 40	33	28	5	A	16	35
63 x 25	38	19	19	B	16	86
63 x 32	38	22	16	B	16	83
63 x 40	38	26	12	B	16	83
63 x 50	38	31	7	A	16	61
75 x 32	44	22	22	B	16	135
75 x 40	44	26	18	B	16	125
75 x 50	44	31	14	B	16	122
75 x 63	44	38	6	A	16	85
90 x 50	51	31	20	B	16	205
90 x 63	51	38	13	B	16	180
90 x 75	51	44	7	A	16	140
110 x 63	61	38	23	B	16	372
110 x 75	61	44	17	B	16	342
110 x 90	61	51	10	A	16	266
125 x 75	69	44	25	B	16	440
125 x 90	69	51	18	B	16	373
125 x 110	69	61	8	A	16	260
140 x 90	76	51	25	B	16	600
140 x 110	76	61	15	B	16	480
140 x 125	76	69	7	A	16	335
160 x 90	88	56	30	B	16	850
160 x 110	88	63	25	B	16	820
160 x 125	88	71	17	B	16	745
160 x 140	86	76	10	A	16	565



d x d₁	L	L₁	Z	Fig.	PN	Peso Weight (gr)
180 x 125	96	69	27	B	16	1150
180 x 160	96	86	10	A	16	705
200 x 160	106	86	20	B	16	1360
200 x 180	106	96	10	A	16	870
225 x 160	119	86	33	B	16	1700
225 x 200	119	106	13	A	16	1360

Grandi diametri
Large diameters

d x d₁	L	L₁	Z	Fig.	PN	Peso Weight (gr)
250 x 160	134	87	47	B	10	2767
250 x 200	134	107	27	B	10	2667
250 x 225	132	120	12	A	10	1734
280 x 225	147	120	27	B	10	3875
280 x 250	147	132	15	A	10	2640
315 x 200	165	107	58	B	10	7740
315 x 225	165	132	33	B	10	4660
315 x 250	165	132	33	B	10	7400
315 x 280	165	149	16	A	10	4720
400 x 250	206	134	72	B	10	10800
400 x 315	206	165	41	B	10	10800
400 x 355	206	185	21	A	10	7650