

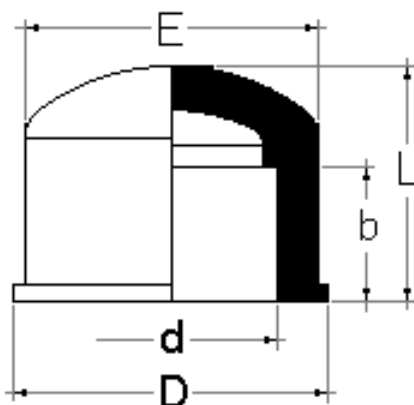


Calotta PE-HD

- Codice prodotto: DCIE
- Materiale: PE-HD 100, SDR 11, PN 16
- Colore: Nero
- Estremità femmina per saldatura a tasca

HD-PE end cap

- Product code: DCIE
- Material: HD-PE100, SDR 11, PN 16
- Color: Black
- Female sockets fusion welding



d (mm)	PN (bar)	D (mm)	L (mm)	E (mm)	b (mm)	Peso Weight (Kg)
20	16	32,0 ± 1,0	25,0 ± 1,5	28,4 ± 1,5	16,0 ± 1,0	0,01
25	16	38,0 ± 1,0	30,0 ± 1,5	35,0 ± 1,5	18,0 ± 1,0	0,01
32	16	47,0 ± 1,0	35,0 ± 1,5	43,0 ± 1,5	20,0 ± 1,0	0,02
40	16	58,0 ± 1,0	38,0 ± 1,5	52,5 ± 1,5	23,0 ± 1,0	0,03
50	16	70,0 ± 1,0	50,0 ± 1,5	64,5 ± 1,5	25,0 ± 1,0	0,07
63	16	86,0 ± 1,0	59,0 ± 1,5	80,5 ± 1,5	30,0 ± 1,0	0,13
75	16	98,0 ± 1,0	67,0 ± 1,5	92,5 ± 1,5	33,0 ± 1,0	0,16
90	16	119,0 ± 1,0	77,0 ± 1,5	113,0 ± 1,5	38,0 ± 1,0	0,25
110	16	141,0 ± 1,0	94,0 ± 1,5	135,0 ± 1,5	43,0 ± 1,0	0,43