



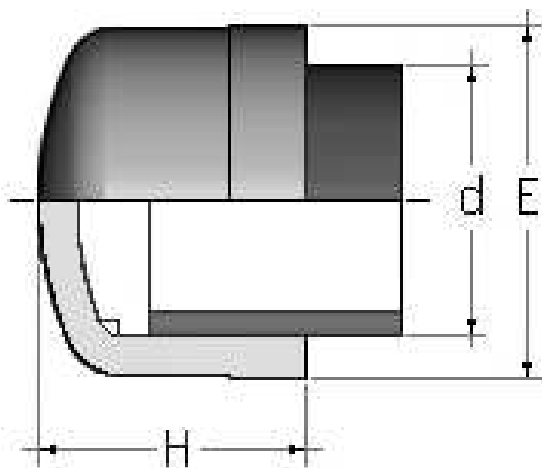
Calotta PP-H

- Codice prodotto: CIM
- Estremità femmina per saldatura a tasca
- Attacchi in accordo con le seguenti norme:
DIN 16962, UNIPLAST 383 accoppiabili con tubi secondo le norme ISO DIS 3609, DIN 8077, UNI 8318, BS 4991, ISO DIS 15494



PP-H end cap

- Product code: CIM
- End for female socket fusion welding
- Coupling in accordance with the following standards:
DIN 16962, UNIPLAST 383 coupling to pipes complying with ISO DIS 3609, DIN 8077, UNI 8318, BS 4991, ISO DIS 15494



d	E	H	PN	Peso Weight (gr)
20	27,5	24,5	10	7
25	33,5	27,0	10	11
32	42,0	31,5	10	19
40	51,0	35,5	10	31
50	63,0	41,0	10	50
63	77,5	44,0	10	88
75	91,0	48,0	10	116
90	109,0	65,0	10	212
110	132,0	71,0	10	349