

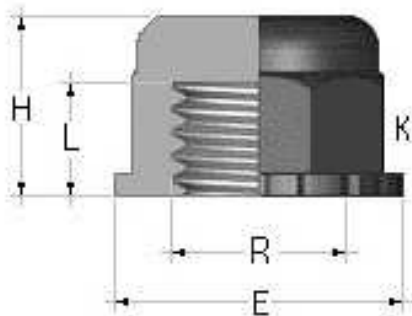


Calotta PP

- Codice prodotto: DCFM
- Estremità femmina filettata
- Colore: Beige RAL 7032
- Giunzione: Filettatura cilindrica secondo UNI ISO 228/1
- Dimensioni: $\varnothing \frac{3}{8}'' \div \varnothing 2''$
- Temperature di esercizio: $- 10^{\circ}\text{C} \div +100^{\circ}\text{C}$
- Pressione di esercizio max: 10 bar

PP end cap

- *Product code: DCFM*
- *Parallel threaded female socket*
- *Color: Beige RAL 7032*
- *Joint: Gas parallel threaded standards UNI ISO 228/1*
- *Dimensions: $\varnothing \frac{3}{8}'' \div \varnothing 2''$*
- *Working temperature: $- 10^{\circ}\text{C} \div +100^{\circ}\text{C}$*
- *Max working pressure: 10 bar*



R (inch)	L (mm)	H (mm)	E (mm)	K (mm)
$\frac{3}{8}''$	16,0	19,0	26,5	23,0
$\frac{1}{2}''$	16,0	21,0	32,0	28,0
$\frac{3}{4}''$	18,0	23,0	38,0	34,0
1"	18,0	24,0	45,0	40,0
$1\frac{1}{4}''$	20,0	26,0	57,0	50,0
$1\frac{1}{2}''$	20,0	30,0	54,0	58,0
2"	27,0	36,0	75,5	72,0