



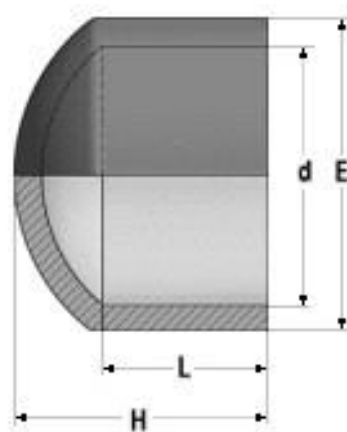
## Calotta PVC

- Codice prodotto: DCIV
- Estremità femmina per incollaggio
- Attacchi in accordo con le seguenti norme:
- ISO 727, DIN 8063, NF T54-028, KIWA 54, UNI-EN 1452 accoppiabili con tubi secondo ISO 161/1, UNI-EN 1452, DIN 8062, NF T54-016, KIWA 49



## PVC cap

- Product code: DCIV
- Female spigot for solvent welding
- Connections conforming to the following standards:  
ISO 727, DIN 8063, NF T54-028, KIWA 54, UNI-EN 1452  
coupling to the pipes complying with ISO 161/1, UNI-EN 1452, DIN 8062, NF T54-016, KIWA 49



d	L	E	H	PN	Peso Weight (gr)
16	14	23	22	16	8
20	16	28	27	16	11
25	19	33	31	16	18
32	22	41	36	16	29
40	26	52	43	16	46
50	31	61	49	16	65
63	38	75	57	16	121
75	44	89	67	16	190
90	51	106	80	16	293
110	61	129	95	16	490
125	69	145	102	16	685
140	76	161	114	16	920
160	86	181	126	16	1079
200	106	227	145	16	2015
225	119	254	160	16	2730

### Grandi diametri Large diameters

d	L	E	H	PN	Peso Weight (gr)
250	176	131	284	10	3925