



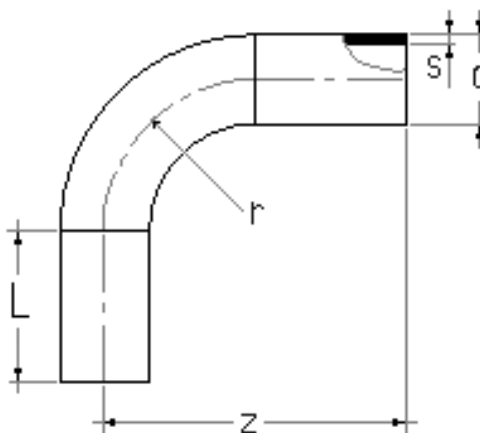
Curva 90° PE-HD

- Codice prodotto: DSBE
- Materiale: PE-HD 100, SDR 17-PN 10 o SDR 11-PN 16
- Colore: Nero
- Estremità codolo lungo per saldatura di testa



HD-PE 90° bend

- Product code: DSBE
- Material: HD-PE100, SDR 17-PN 10 or SDR 11-PN 16
- Color: Black
- Long spigot moulded butt fusion welding



d (mm)	r (mm)	z (mm)	L (mm)	SDR 17 PN 10		SDR 11 PN 16	
				s (mm)	Peso Weight (kg)	s (mm)	Peso Weight (kg)
20	20	59±5,0	37±5,0	-	-	2,0	0,01
25	25	67±5,0	39±5,0	-	-	2,3	0,02
32	32	79±5,0	44±5,0	-	-	3,0	0,04
40	40	92±6,0	49±5,0	-	-	3,7	0,07
50	50	107±6,0	56±5,0	-	-	4,6	0,14
63	63	127±6,0	64±5,0	3,8	0,19	5,8	0,26
75	75	148±6,0	72±5,0	4,5	0,30	6,9	0,43
50	50	166±6,0	75±5,0	5,4	0,49	8,2	0,69
110	110	189±6,0	75±5,0	6,6	0,79	10,0	1,14
125	125	213±6,0	85±5,0	7,4	1,18	11,4	1,70
140	140	234±6,0	90±5,0	8,3	1,62	12,7	2,36
160	160	254±6,0	90±5,0	9,5	2,30	14,6	3,34
180	180	284±6,0	100±5,0	10,7	3,22	16,4	4,60
200	200	312±6,0	108±5,0	11,9	4,18	18,2	6,18
225	225	344±6,0	115±5,0	13,4	6,04	20,5	8,64
250	255	440±6,0	195±5,0	-	-	22,8	13,34
280	288	460±6,0	165±5,0	-	-	25,5	17,64
315	317	545±6,0	205±5,0	-	-	28,7	25,98