

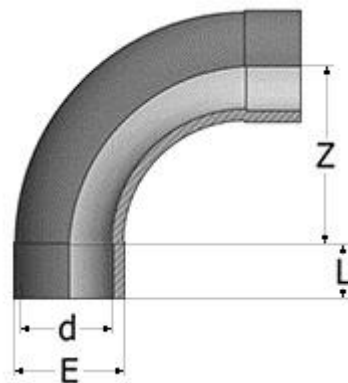


Curva 90° PVC, grande raggio (R=2d)

- Codice prodotto: DSIV
- Estremità femmina per incollaggio
- Attacchi in accordo con le seguenti norme:
ISO 727, DIN 8063, NF T54-028, KIWA 54, UNI-EN 1452
accoppiabili con tubi secondo ISO 161/1, UNI-EN 1452, DIN
8062, NF T54-016, KIWA 49

PVC bend 90°, long radius (R=2d)

- Product code: DSIV
- Female sockets for solvent welding
- Connections conforming with the following standards:
ISO 727, DIN 8063, NF T54-028, KIWA 54, UNI-EN 1452
coupling to the pipes complying with ISO 161/1, UNI-EN 1452,
DIN 8062, NF T54-016, KIWA 49



d	PN	L	Z	E	Peso Weight (gr)
20	16	16	40	28	45
25	16	19	50	35	74
32	16	22	64	42	125
40	16	26	80	51	210
50	16	31	100	63	318
63	16	38	126	77	550
75	16	44	150	94	1015
90	16	51	180	113	1760
110	16	61	220	132	2830