



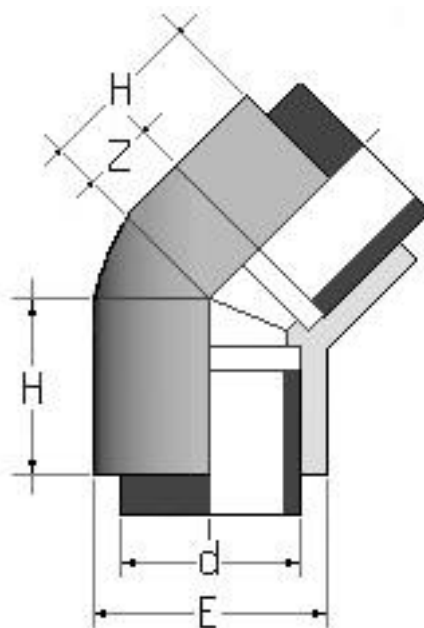
Gomito 45° PP-H

- Codice prodotto: HIM
- Estremità femmina per saldatura a tasca
- Attacchi in accordo con le seguenti norme:
DIN 16962, UNIPLAST 383 accoppiabili con tubi secondo le norme ISO DIS 3609, DIN 8077, UNI 8318, BS 4991, ISO DIS 15494



PP-H 45° elbow

- Product code: HIM
- Ends for female socket fusion welding
- Coupling in accordance with the following standards:
DIN 16962, UNIPLAST 383 coupling to pipes complying with ISO DIS 3609, DIN 8077, UNI 8318, BS 4991, ISO DIS 15494



d	E	H	Z	PN	Peso Weight (gr)
20	27,5	21,0	6,5	10	12
25	33,5	24,5	8,5	10	19
32	45,0	29,0	12,0	10	36
40	51,5	35,5	15,0	10	57
50	63,0	42,5	19,0	10	105
63	79,0	51,0	23,5	10	182
75	92,0	71,0	38,5	10	220
90	113,7	82,5	46,0	10	410
110	135,0	98,7	56,0	10	590