



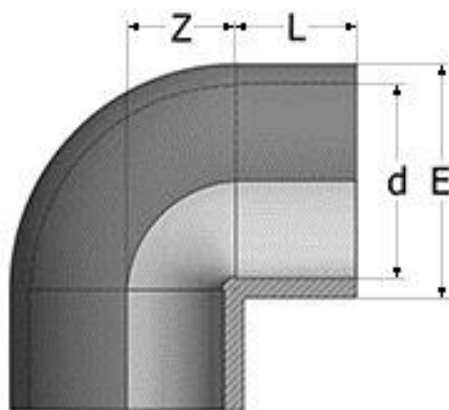
Gomito 90° PVC

- Codice prodotto: DGIV
- Estremità femmina per incollaggio
- Attacchi in accordo con le seguenti norme:
ISO 727, DIN 8063, NF T54-028, KIWA 54, UNI-EN 1452
accoppiabili con tubi secondo ISO 161/1, UNI-EN 1452, DIN 8062, NF T54-016, KIWA 49



90° PVC elbow

- Product code: DGIV
- Female sockets for solvent welding
- Connections conforming with the following standards:
ISO 727, DIN 8063, NF T54-028, KIWA 54, UNI-EN 1452
coupling to the pipes complying with ISO 161/1, UNI-EN 1452, DIN 8062, NF T54-016, KIWA 49



d	L	Z	E	PN	Peso Weight (gr)
16	14,0	9,0	23,5	16	13
20	16,0	11,0	26,5	16	17
25	19,0	14,0	32,5	16	30
32	22,0	17,0	41,0	16	50
40	26,0	23,0	50,0	16	88
50	31,0	28,0	60,0	16	135
63	38,0	34,0	75,0	16	246
75	44,0	40,0	89,0	16	383
90	51,0	48,0	106,0	16	616
110	61,0	58,0	129,0	16	1058
125	69,0	66,0	145,0	16	1430
140	76,0	72,0	164,0	16	2000
160	86,0	81,0	188,0	16	3275
200	106,0	102,0	232,0	16	5661
225	119,0	115,0	258,0	16	8085

Grandi diametri Large diameters

d	L	Z	E	PN	Peso Weight (gr)
250	131,5	187,5	286,0	10	12250
280	146,0	210,0	316,0	10	15820
315	162,0	239,0	358,0	10	23600