

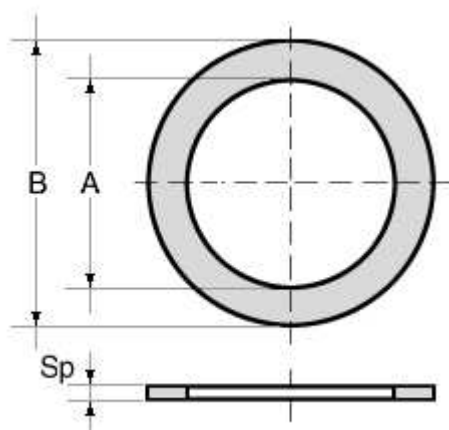


**Guarnizione piana per collari d'appoggio  
in PVC-U, PP-H, PVC-C, PE-HD, PVDF**

Codice: DG-ST

**Gasket for stub end  
in PVC-U, PP-H, PVC-C, PE-HD, PVDF**

Code: DG-ST



Ø	DN	A (mm)	B (mm)	EPDM	FKM	Peso Weight (g)
				S (mm)	S (mm)	
16	10	16	27	2	2	1
20	15	20	32	2	2	1
25	20	25	39	2	2	2
32	25	32	48	2	2	2
40	32	40	59	2	2	3
50	40	50	71	2	2	5
63	50	63	88	2	2	7
75	65	75	104	2	2	9
90	80	90	123	2	2	17
110	100	110	148	3	3	17
125	110	125	167	3	3	32
140	125	140	186	3	3	41
160	150	160	211	3	3	51
200	200	200	252	3	3	63
225	200	225	272	3	3	59
250	250	250	306	3	3	73
280	250	280	327	3	-	116
315	300	315	375	3	-	136

Materiale: EPDM o FKM  
Colore: Nero

Material: EPDM or FKM  
Color: Black