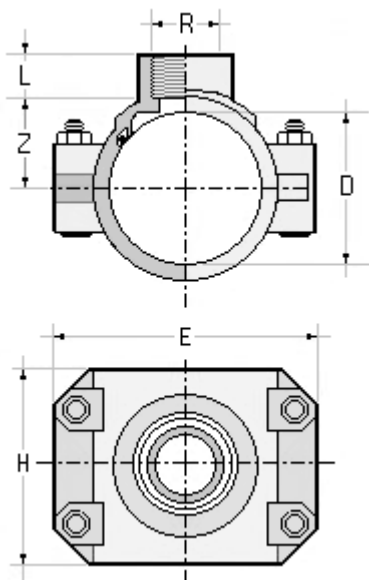




PRESA A STAFFA IN PP PER TUBI IN PE E PVC PP CLAMP SADDLE FOR PE AND PVC PIPES

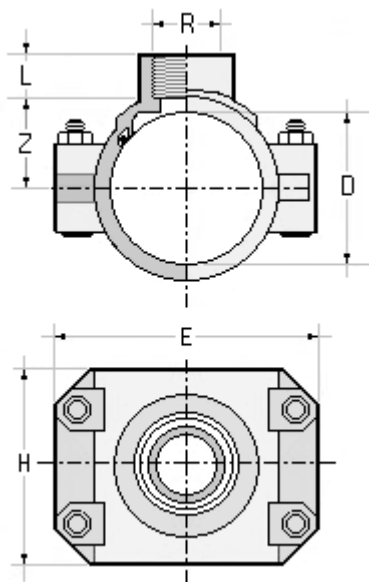


d x R	E	H	L	Z	Bulloni Bolts	Peso Weight (g)	Pz. box
20 x 1/2"	62	37,5	17,0	16,0	2 M6x35	56	150
25 x 1/2"	69	43,0	18,5	18,5	2 M6x35	65	120
25 x 3/4"	69	43,0	18,5	18,5	2 M6x35	71	120
32 x 1/2"	78	49,0	17,0	22,0	2 M8x45	99	100
32 x 3/4"	78	49,0	18,3	21,0	2 M8x45	103	100
32 x 1"	91	60,0	18,5	22,5	2 M8x45	138	60
40 x 1/2"	84	55,0	17,0	28,0	2 M8x45	119	60
40 x 3/4"	84	55,0	18,3	28,5	2 M8x45	125	60
40 x 1"	84	55,0	22,0	27,0	2 M8x45	132	60
50 x 1/2"	87	57,0	22,0	34,5	2 M8x45	119	50
50 x 3/4"	87	57,0	22,0	34,5	2 M8x45	123	50
50 x 1"	87	57,0	22,0	34,5	2 M8x45	132	50
63 x 1/2"	100	71,0	17,0	40,0	4 M8x50	237	75
63 x 3/4"	100	71,0	20,0	40,0	4 M8x50	244	75
63 x 1"	100	71,0	22,0	40,0	4 M8x50	249	75
63 x 1 1/4"	100	71,0	24,0	40,0	4 M8x50	260	70
63 x 1 1/2"	100	71,0	24,0	40,0	4 M8x50	267	70
75 x 1/2"	120	91,0	17,0	44,5	4 M8x50	312	50
75 x 3/4"	120	91,0	20,0	44,5	4 M8x50	319	50
75 x 1"	120	91,0	22,0	44,5	4 M8x50	329	50
75 x 1 1/4"	120	91,0	24,0	44,5	4 M8x50	360	45
75 x 1 1/2"	120	91,0	24,0	44,5	4 M8x50	342	45
75 x 2"	120	91,0	26,0	44,5	4 M8x50	346	45
90 x 1/2"	137	91,0	17,0	52,0	4 M8x60	358	40
90 x 3/4"	137	91,0	20,0	52,0	4 M8x60	360	40
90 x 1"	137	91,0	22,0	52,0	4 M8x60	367	40
90 x 1 1/4"	137	91,0	24,0	52,0	4 M8x60	370	35
90 x 1 1/2"	137	91,0	24,0	52,0	6 M8x60	380	35
90 x 2"	137	91,0	26,0	52,0	6 M8x60	390	35
110 x 1/2"	155	98,5	17,0	65,0	4 M8x60	403	25
110 x 3/4"	155	98,5	20,0	65,0	4 M8x60	407	25
110 x 1"	155	98,5	22,0	65,0	4 M8x60	417	25
110 x 1 1/4"	155	98,5	24,0	65,0	4 M8x60	430	25
110 x 1 1/2"	155	98,5	24,0	65,0	4 M8x60	438	25
110 x 2"	155	98,5	24,0	65,0	4 M8x60	451	25
110 x 3"	155	98,5	33,0	65,0	4 M8x60	537	20
125 x 3/4"	168	101,0	20,0	73,5	4 M8x60	540	30
125 x 1"	168	101,0	22,0	73,5	4 M8x60	543	30
125 x 1 1/4"	168	101,0	24,0	73,5	4 M8x60	545	30
125 x 1 1/2"	168	101,0	24,0	73,5	4 M8x60	548	30
125 x 2"	168	101,0	24,0	73,5	4 M8x60	552	30
140 x 1"	189	134,0	22,0	80,0	6 M8x60	921	20
140 x 1 1/4"	189	134,0	24,0	80,0	6 M8x60	923	20
140 x 1 1/2"	189	134,0	24,0	80,0	6 M8x60	926	20
140 x 2"	189	134,0	24,0	80,0	6 M8x60	930	20
140 x 2 1/2"	189	134,0	24,0	80,0	6 M8x60	937	20
140 x 3"	189	134,0	33,0	80,0	6 M8x60	944	20

Materiali <i>Materials</i>	Corpo: PP nero Guarnizioni: gomma nitrilica 70 shore (NBR) Bulloni: acciaio galvanizzato.	<i>Body: Black PP Gaskets: nitrile rubber 70 Shore (NBR) Bolts: galvanized steel</i>
Temperatura <i>Temperature</i>	Polipropilene: +100 °C	<i>Polypropylene: +100 °C</i>
Pressione massima <i>Max pressure</i>	10 bar: $\varnothing 20 \div \varnothing 63$ 6 bar: $\varnothing 75 \div \varnothing 315$ (massima pressione d'esercizio alla temperatura di +20 °C)	<i>10 bar: $\varnothing 20 \div \varnothing 63$ 6 bar: $\varnothing 75 \div \varnothing 315$ (maximum working pressure at the temperature of +20 °C)</i>
Prescrizioni sanitarie <i>Sanitary regulations</i>	Pezzi speciali idonei al convogliamento di acqua potabile e fluidi alimentari. Conformi a quanto richiesto da DM (Salute) del 6 aprile 2004 n° 174.	<i>Special qualified pieces to the conveyance of drinking water and alimentary fluids. In conformity with as required in the DM (Salute) of 6 april 2004 n° 174.</i>
Dimensioni e caratteristiche <i>Dimensions and characteristics</i>	Conformi alle norme UNI EN ISO 13460, UNI EN 10226/1, ANSI/ASME B1.20.1 Per tubi in PE conformi alle norme: UNI 7990, UNI EN 12201-2, UNI EN ISO 15494.	<i>Conformity with the standard UNI EN ISO 13460, UNI EN 10226/1, ANSI/ASME B1.20.1 For PE pipes in conformity with the standard UNI 7990, UNI EN 12201-2, UNI EN ISO 15494.</i>



PRESA A STAFFA IN PP PER TUBI IN PE E PVC PP CLAMP SADDLE FOR PE AND PVC PIPES



d x R	E	H	L	Z	Bulloni Bolts	Peso Weight (g)	Pz. box
160 x 3/4"	213	137,0	22,0	88,0	6 M8x60	987	16
160 x 1"	213	137,0	22,0	88,0	6 M8x60	991	16
160 x 1 1/4"	213	137,0	24,0	88,0	6 M8x60	994	16
160 x 1 1/2"	213	137,0	24,0	88,0	6 M8x60	996	16
160 x 2"	213	137,0	28,5	88,0	6 M8x60	1000	16
160 x 3"	213	137,0	36,0	88,0	6 M8x60	1014	15
180 x 1 1/4"	265	171,0	24,0	115,0	6 M10x80	2289	8
180 x 1 1/2"	265	171,0	24,0	115,0	6 M10x80	2292	8
180 x 2"	265	171,0	24,0	115,0	6 M10x80	2296	8
180 x 3"	265	171,0	33,0	115,0	6 M10x80	2310	8
180 x 4"	265	171,0	42,0	115,0	6 M10x80	2314	6
200 x 1 1/4"	265	171,0	24,0	115,0	6 M10x80	2019	8
200 x 1 1/2"	265	171,0	24,0	115,0	6 M10x80	2022	8
200 x 2"	265	171,0	24,0	115,0	6 M10x80	2026	8
200 x 3"	265	171,0	33,0	115,0	6 M10x80	2040	8
200 x 4"	265	171,0	42,0	115,0	6 M10x80	2044	8
225 x 1 1/4"	280	173,0	24,0	127,5	6 M10x80	2165	7
225 x 1 1/2"	280	173,0	24,0	127,5	6 M10x80	2145	7
225 x 2"	280	173,0	24,0	127,5	6 M10x80	2155	7
225 x 3"	280	173,0	33,0	127,5	6 M10x80	2180	7
225 x 4"	280	173,0	42,0	127,5	6 M10x80	2210	7
250 x 1 1/4"	313	181,0	24,0	142,0	6 M10x80	2545	7
250 x 1 1/2"	313	181,0	24,0	142,0	6 M10x80	2548	7
250 x 2"	313	181,0	22,4	142,0	6 M10x80	2552	7
250 x 3"	313	181,0	33,0	142,0	6 M10x80	2566	7
250 x 4"	313	181,0	42,0	142,0	6 M10x80	2570	6
280 x 1 1/4"	385	190,0	24,0	171,0	6 M10x80	4069	3
280 x 1 1/2"	385	190,0	24,0	171,0	6 M10x80	4072	3
280 x 2"	385	190,0	24,0	171,0	6 M10x80	4076	3
280 x 3"	385	190,0	33,0	171,0	6 M10x80	4090	3
280 x 4"	385	190,0	42,0	171,0	6 M10x80	4094	3
315 x 1 1/4"	385	190,0	24,0	171,0	6 M10x80	3168	4
315 x 1 1/2"	385	190,0	24,0	171,0	6 M10x80	3171	4
315 x 2"	385	190,0	24,0	171,0	6 M10x80	3175	4
315 x 3"	385	190,0	33,0	171,0	6 M10x80	3189	4
315 x 4"	385	190,0	42,0	171,0	6 M10x80	3193	4

Materiali <i>Materials</i>	Corpo: PP nero Guarnizioni: gomma nitrilica 70 shore (NBR) Bulloni: acciaio galvanizzato.	<i>Body: Black PP Gaskets: nitrile rubber 70 Shore (NBR) Bolts: galvanized steel</i>
Temperatura <i>Temperature</i>	Polipropilene: +100 °C	<i>Polypropylene: +100 °C</i>
Pressione massima <i>Max pressure</i>	10 bar: $\varnothing 20 \div \varnothing 63$ 6 bar: $\varnothing 75 \div \varnothing 315$ (massima pressione d'esercizio alla temperatura di +20 °C)	<i>10 bar: $\varnothing 20 \div \varnothing 63$ 6 bar: $\varnothing 75 \div \varnothing 315$ (maximum working pressure at the temperature of +20 °C)</i>
Prescrizioni sanitarie <i>Sanitary regulations</i>	Pezzi speciali idonei al convogliamento di acqua potabile e fluidi alimentari. Conformi a quanto richiesto da DM (Salute) del 6 aprile 2004 n° 174.	<i>Special qualified pieces to the conveyance of drinking water and alimentary fluids. In conformity with as required in the DM (Salute) of 6 april 2004 n° 174.</i>
Dimensioni e caratteristiche <i>Dimensions and characteristics</i>	Conformi alle norme UNI EN ISO 13460, UNI EN 10226/1, ANSI/ASME B1.20.1 Per tubi in PE conformi alle norme: UNI 7990, UNI EN 12201-2, UNI EN ISO 15494.	<i>Conformity with the standard UNI EN ISO 13460, UNI EN 10226/1, ANSI/ASME B1.20.1 For PE pipes in conformity with the standard UNI 7990, UNI EN 12201-2, UNI EN ISO 15494.</i>