

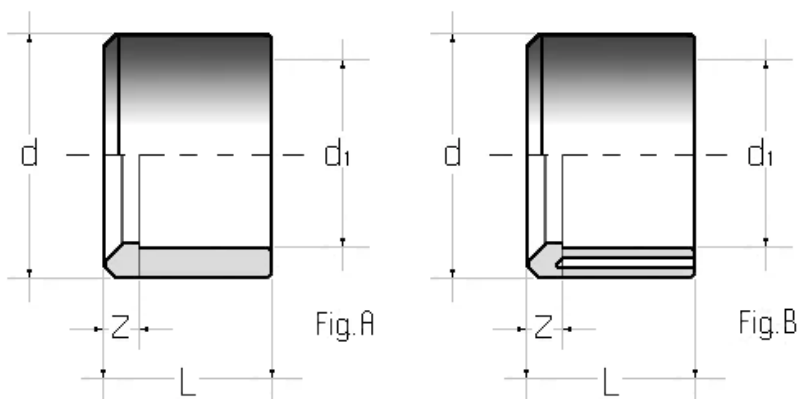


Bussola riduzione PVC-C

- Codice prodotto: DIC
- Estremità maschio ad incollaggio (1° d di riferimento)
- Estremità a bicchiere per incollaggio (d₁ ridotto)
- Attacchi in accordo con le seguenti norme:
ISO 727, EN 15493 accoppiabili con tubi secondo DIN 8079/8080 e EN ISO 15493

PVC-C reducing bush

- *Product code: DIC*
- *Spigot for solvent welding (1st d on reference)*
- *Socket for solvent welding (reduced d₁)*
- *Connections conforming with the following standards:
ISO 727, EN 15493 coupling to the pipes complying with DIN 8078/808 and EN ISO 15493*



d x d ₁	L	Z	Fig.	PN	Peso Weight (g)
20 x 16	16	2,0	A	16	3
25 x 20	19	3,0	A	16	6
32 x 20	22	6,0	A	16	16
32 x 25	22	3,0	A	16	11
40 x 20	26	10,0	B	16	27
40 x 25	26	7,0	B	16	26
40 x 32	26	4,0	A	16	18
50 x 32	31	9,0	B	16	39
50 x 40	31	5,0	A	16	35
63 x 32	38	16,0	B	16	81
63 x 40	38	11,5	B	16	84
63 x 50	38	7,0	A	16	70
75 x 50	44	12,0	B	16	126
75 x 63	44	6,0	A	16	92
90 x 50	51	20,0	B	16	213
90 x 63	51	13,0	B	16	209
90 x 75	51	7,0	A	16	159
110 x 63	61	23,0	B	16	365
110 x 75	61	17,0	B	16	386
110 x 90	61	9,0	A	16	297
160 x 110	86	25,0	B	16	1040
225 x 160	119	33,0	B	10	2100