

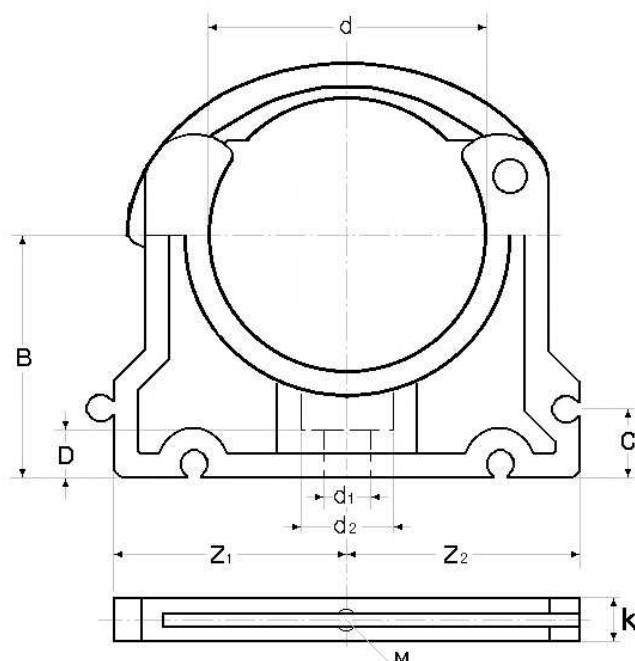


## Supporto tubo

Codice: DPCV

### Pipe clip

Code: DPCV



d (mm)	d <sub>1</sub> (mm)	d <sub>2</sub> (mm)	B (mm)	Z <sub>1</sub> (mm)	Z <sub>2</sub> (mm)	C (mm)	D (mm)	k (mm)	Peso Weight (Kg)	Tipo Type	M
16*	5,5	10,5	23,0	14,0	16,5	10,0	6,0	16,0	0,007	B	M5
20*	5,5	10,5	25,0	16,5	19,0	10,0	6,0	16,0	0,007	B	M5
25*	5,5	10,5	27,5	19,0	21,5	10,0	6,0	16,0	0,009	B	M5
32*	5,5	10,5	31,0	24,0	26,5	10,0	6,0	16,0	0,012	B	M5
40	6,5	14,0	35,0	33,5	33,5	10,0	6,0	22,0	0,027	C	M6
50	6,5	14,0	40,0	37,5	37,5	10,0	6,5	22,0	0,031	C	M6
63	8,5	17,0	51,5	44,5	44,5	10,0	10,0	22,0	0,052	C	M8
75	8,5	17,0	57,5	52,0	52,0	10,0	10,0	25,0	0,057	C	M8
90	8,5	17,0	65,0	64,5	64,5	10,0	10,0	25,0	0,092	C	M8
110	8,5	17,0	75,0	78,0	78,0	10,0	10,0	28,0	0,117	C	M8
125	8,5	17,0	90,0	88,0	88,0	10,0	10,0	31,5	0,180	C	M8
140	8,5	17,0	110,0	97,0	97,0	10,0	10,0	31,5	0,224	C	M8
160	8,5	17,0	107,5	109,0	109,0	10,0	10,0	31,5	0,242	C	M8

(\*) Senza clip di sicurezza

Materiale: PP

Colore: Nero

(\*) Without security clip

Material: PP

Color: Black