

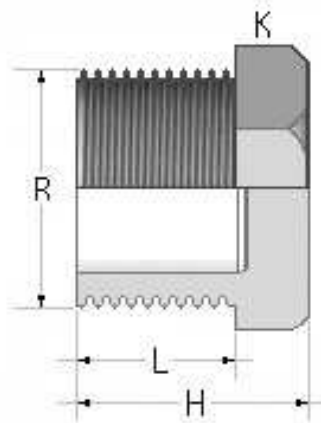


Tappo PP

- Codice prodotto: DPFM
- Estremità maschio filettata
- Colore: Beige RAL 7032
- Giunzione: Filettatura cilindrica secondo UNI ISO 228/1
- Dimensioni: $\varnothing \frac{3}{8}'' \div \varnothing 2''$
- Temperature di esercizio: $- 10^{\circ}\text{C} \div +100^{\circ}\text{C}$
- Pressione di esercizio max: 10 bar

PP plug

- *Product code: DPFM*
- *Parallel threaded male end*
- *Color: Beige RAL 7032*
- *Joint: Gas parallel threaded standards UNI ISO 228/1*
- *Dimensions: $\varnothing \frac{3}{8}'' \div \varnothing 2''$*
- *Working temperature: $- 10^{\circ}\text{C} \div +100^{\circ}\text{C}$*
- *Max working pressure: 10 bar*



R (inch)	L (mm)	H (mm)	K (mm)
$\frac{3}{8}''$	13,5	21,0	22,0
$\frac{1}{2}''$	14,0	22,5	27,0
$\frac{3}{4}''$	15,0	24,0	34,0
1"	15,5	25,0	40,0
$1\frac{1}{4}''$	20,0	39,0	46,0
$1\frac{1}{2}''$	20,0	39,0	55,0
2"	24,0	43,0	64,0