



## Tee di passaggio 90° PVC-C con rinforzo

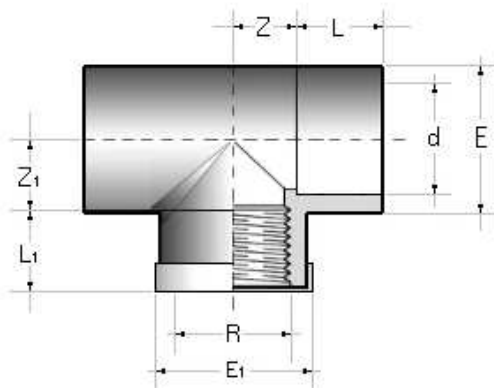
Codice prodotto: TIMC

- Estremità **d** femmina per incollaggio
- Estremità **R** filettata femmina gas cilindrica con anello di rinforzo in acciaio inox
- Attacchi in accordo con le seguenti norme:  
Filettatura: UNI ISO 228/1, DIN 2999, BS 21  
Incollaggio: ISO 727, EN ISO 15493 accoppiabili con tubi secondo norme DIN 8079/8080 e EN ISO 15493



### PVC-C tee 90°, reinforced

- *Product code: TIMC*
- *Female sockets **d** for solvent welding*
- ***R** socket female parallel threaded with stainless steel reinforced ring*
- *Coupling according with the following standards:  
Threaded: UNI ISO 228/1, DIN 2999, BS 21  
Socket welding: ISO 727, EN 15493 coupling to the pipes complying with DIN 8079/8080 and EN ISO 15493*



<b>d x R</b>	<b>L</b>	<b>L<sub>1</sub></b>	<b>Z</b>	<b>Z<sub>1</sub></b>	<b>E</b>	<b>E<sub>1</sub></b>	<b>PN</b>	<b>Peso Weight (g)</b>
16 x 3/8"	14,0	11,4	9,0	11,0	23,5	24,5	16	25
20 x 1/2"	16,0	15,0	12,0	13,0	28,5	29,5	16	40
25 x 3/4"	19,0	16,3	15,0	17,0	35,0	36,0	16	63
32 x 1"	22,0	19,1	18,0	21,0	43,0	44,0	16	118
40 x 1 1/4"	26,0	21,4	21,5	27,0	50,0	51,0	16	137
50 x 1 1/2"	31,0	21,4	27,0	37,0	61,0	62,0	16	231
63 x 2"	38,0	25,7	33,5	46,0	76,0	77,0	16	457