

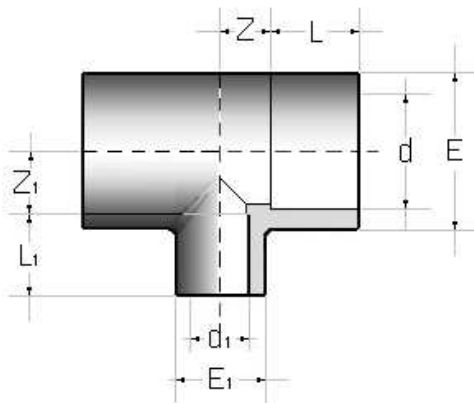


Tee 90° ridotto PVC-C

- Codice prodotto: TRIC
- Estremità femmina per incollaggio con derivazione ridotta (d_1)
- Attacchi in accordo con le seguenti norme:
ISO 727, EN 15493 accoppiabili con tubi secondo DIN 8079/8080 e EN ISO 15493

90° PVC-C tee 90°, reduced

- Product code: TRIC
- Female sockets for solvent welding with offtake socket d_1 , reduced
- Connections conforming with the following standards:
ISO 727, EN 15493 coupling to the pipes complying with DIN 8078/808 and EN ISO 15493



$d \times d_1$	L	L ₁	Z	Z ₁	E	E ₁	PN	Peso Weight (g)
25 x 20	19	16	14,0	14,0	33	28	16	41
32 x 20	22	16	17,5	17,5	41	28	16	66
32 x 25	22	19	17,5	17,5	41	34	16	72
40 x 20	26	16	22,0	22,0	50	29	16	111
40 x 25	26	19	22,0	22,0	50	34	16	111
50 x 25	31	19	27,0	27,0	61	35	16	176
50 x 32	31	22	27,0	27,0	61	42	16	182
63 x 25	38	19	33,5	33,5	76	36	16	320
63 x 32	38	22	33,5	33,5	76	43	16	325
75 x 25	44	16	40,5	39,0	91	33	16	470
90 x 25	51	16	48,5	46,0	109	33	16	773
110 x 25	61	16	61,0	56,0	133	33	16	1170