

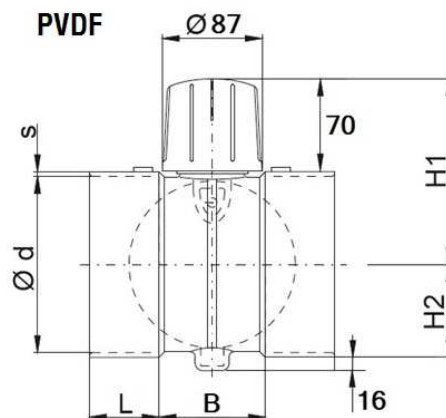
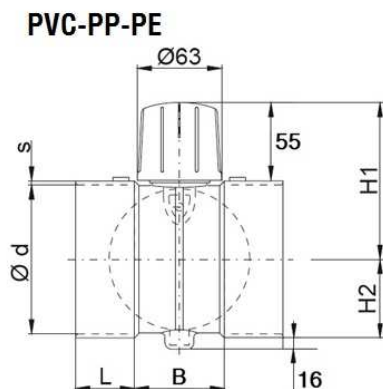


VALVOLA MANUALE FARFALLA

- Valvola per linee ventilazione/aspirazione
- Estremità bicchierate femmina

MANUAL BUTTERFLY VALVE

- Valve for ventilation/aspiration lines
- Female socket connections



Ø d (mm)	L (mm)	B (mm)	H1 (mm)	H2 (mm)	s (mm)			Peso Weight (Kg)		
					PVC	PP-PE	PVDF (*)	PVC	PP-PE	PVDF (*)
50	35	60	98	37	3,0	3,0	3,0	0,20	0,14	0,37
63	35	60	105	44	3,0	3,0	3,0	0,22	0,16	0,37
75	35	60	111	50	3,0	3,0	3,0	0,30	0,18	0,37
90	35	60	118	57	3,0	3,0	3,0	0,35	0,20	0,47
110	40	70	113	74	3,0	3,0	3,0	0,40	0,30	0,56
125	40	70	121	81	3,0	3,0	3,0	0,50	0,32	0,65
140	40	70	128	89	3,0	3,0	3,0	0,50	0,35	0,75
160	40	70	138	99	3,0	3,0	3,0	0,60	0,40	0,84
180	50	70	148	109	3,0	3,0	3,0	0,70	0,50	0,93
200	50	70	158	119	3,0	3,0	3,0	0,80	0,60	1,12
225	50	70	171	131	3,0	3,0	3,0	0,90	0,70	-
250	50	70	183	144	3,0	3,0	3,0	1,00	0,80	1,49
280	50	75	198	159	4,0	3,0	3,0	1,36	0,90	-
315	50	75	216	176	4,0	3,0	3,0	1,70	1,10	3.54

Diametri maggiori Ø 315 a richiesta
 Diameters larger than Ø 315 on demand

(-) Non disponibile
 (-) Not available

(*) Solo versione con bloccaggio a mezzo vite
 (*) Only version with screw locking